

WAVE 27" MONITOR

The Wave Monitors are a series of well-designed, rugged LED displays. Our monitors are built following a modular approach, making them suitable for OEM as well as Private Label versions.

Our displays can be flush mounted with a panel mounting kit or standing with hinge mounted to table. It can even be mounted with hinge hanging from the roof (no HMI). Sunshade and Vesa adaptor are also available.

All our monitors are provided with AC/DC inputs and can even be used as a part of a UPS system. For improved performance and reliability backlight is based on LED technology.



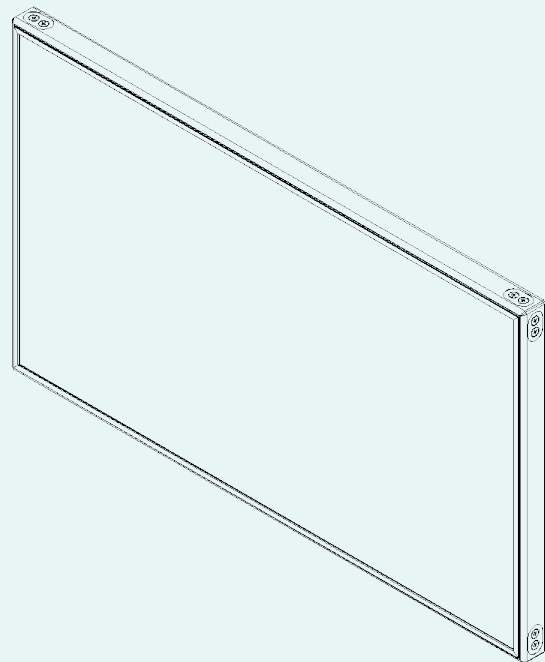
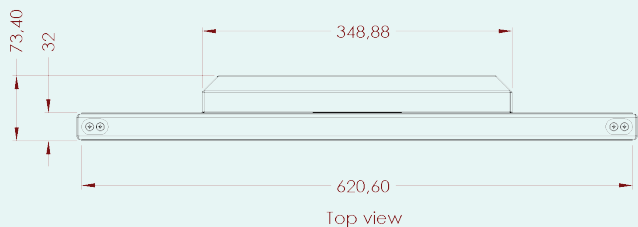
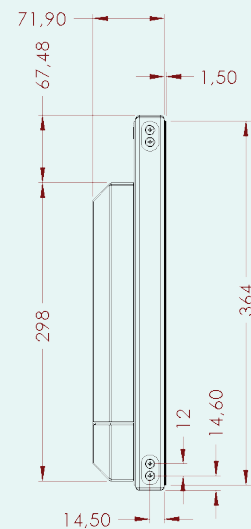
TECHNICAL SPECIFICATIONS 27" WAVE MONITOR

MATCHING STANDARDS	IEC 60945, IEC 61174 (ECDIS), IEC 60936 (RADAR), IEC 62.288, IEC 62.388, IEC 60529 (IP), IACS E10. Designed to comply with MIL-STD-810F & MIL-STD-901D. Reports available on request.
DISPLAY SIZE	27.0" - 685.7 mm, active area 597.6 (Hor) x 336.2 (V) mm
OVERALL DIMENSIONS	632 (W) x 375 (H) x 73.4 (D) mm - console mounting (ex mounting kit) 632 (W) x 410 (H) x 73.4 (D) mm - with Hinge (ex HMI)
NET/GROSS WEIGHT	10.7 Kg (monitor with hinge and HMI)
RESOLUTION	Max 1920 x 1080 pixels (Full HD)
SYNCHRONISATION	Separate/Composite, 15-100 kHz (H), 30-65 Hz (V)
RESPONSE TIME	12 ms
CONTRAST RATIO	3000:1 (typ)
DOT PITCH	0,31125 (H) x 0,31125 (V) mm
LIGHT INTENSITY	300 cd/m ² (typ)
NUMBERS OF COLOURS	16.7 Millions depending on graphics card
VIEWING ANGLE	±89°
CONTROLS KNOBS	Lock, +, -, (Brilliance), Set, Menu and Power
INDICATORS	Power indicator, AC or DC
DC VOLTAGE OUT	12 VDC, 30W, connector KPXJ-3S, matching male connector KPPX-3P
SUPPLY VOLTAGE	90-264 VAC, 24 VDC -20/+30%
POWER CONSUMPTION	App.45 W (AC) / 45 W (DC)
COLOURS	Front & back: RAL 9005 structure. Stand RAL 9005 structure.
ENCLOSURE PROTECTION	IP 42
GLASS TYPE	Conturan® or Glacier AR antiglare coated
CONTROL INPUT	RS 232 D-SUB 9 pin female
OPERATING/STORAGE TEMP.	-15/+55° C. +5/131° F (IEC 60945) / -20/+60° C. -4/140° F
INPUT	DVI-I (Analogue and Digital), VGA, Composite video, S-Video, AC power IEC Inlet & DC screw terminal
BACKLIGHT LIFE	Typ. 50.000 hours
DIMMING RANGE	0-100%
ACCESSORIES	Sunshade WA270-01.SUN.01, Panel Mounting Kit WA270-01.PAN.01, Panel Mounting Kit incl HMI WA270-02.PAN.01, Vesa adaptor WA270-01.VES.01
CONFIGURATION-0001 FLUSH MOUNTED	
CONFIGURATION-1001 MOUNTED ON HINGE (NO HMI)	
CONFIGURATION-2001 MOUNTED ON HINGE (WITH HMI)	
CONFIGURATION-3001 TOP MOUNTED HINGE (NO HMI)	
CONFIGURATION-4001 PANEL MOUNTED WITH INTEGRATED HMI	
CONFIGURATION-5001 PANEL MOUNTED WITHOUT INTEGRATED HMI	

WAVE 27" MONITOR

WAVE 27" FLUSH MOUNTED: WA270-01.MON.01-0001

Note: All dimensions are in mm.



The following is enclosed in a standard delivery:

1 x WA270-01.MON.01-5001, 27,0" Monitor

1 x User Manual for Sea Line Wave Monitors (identical for 19", 21.5", 24 & 27" monitors) 1 x Power AC Cable / 1 x DC plug / 1 x VGA Cable

WA270-DS-REV2.0-03.2014

Specifications subject to changes without prior notice. The contents of this page are property of North Invent Norway AS. All rights herein are reserved to North Invent Norway AS. This document cannot be reproduced without the written permission of the company.

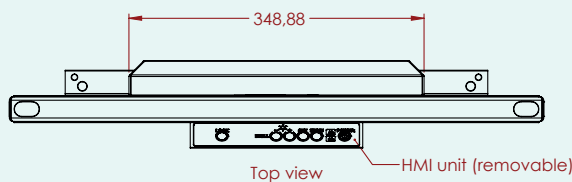
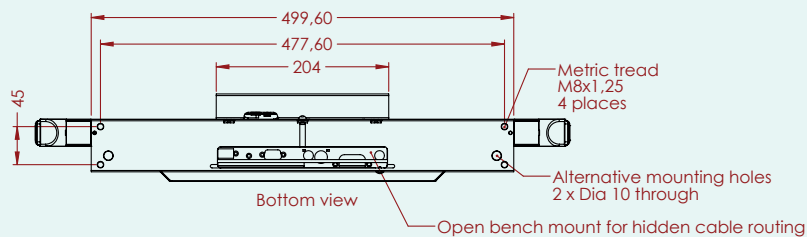
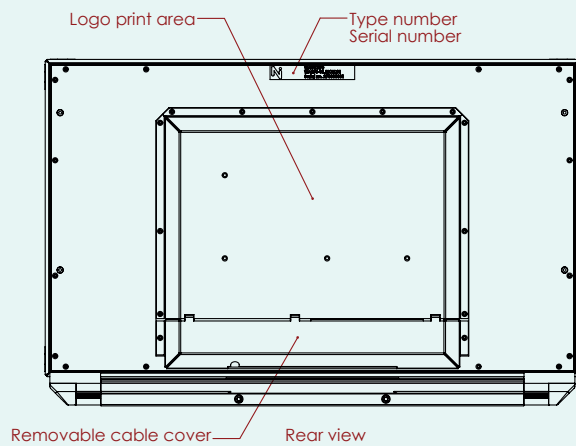
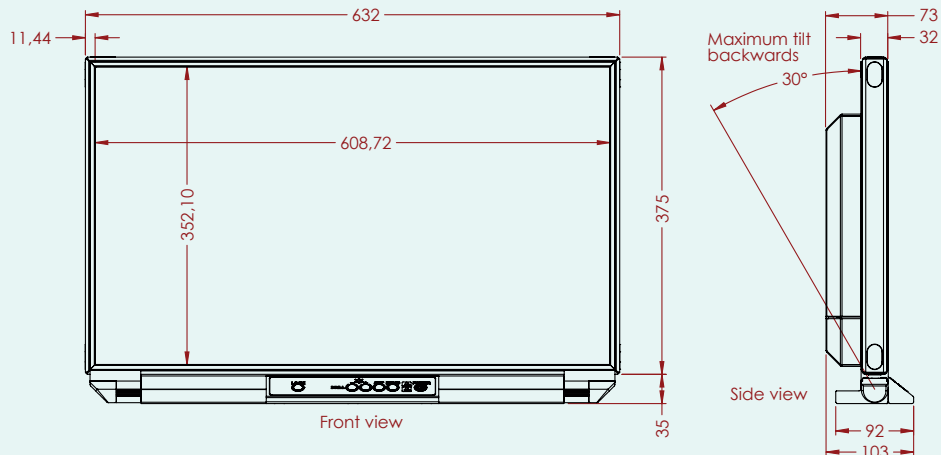
NORTH INVENT
 Sørhauggata 128,
 NO-5527 Haugesund, Norway
 Phone: + 47 48 84 02 00



WAVE 27" MONITOR

WAVE 27" WITH HINGE: WA270-01.MON.01-1001 (NO HMI) OR WA270-01.MON.01-2001 (WITH HMI)

Note: All dimensions are in mm.



WA270-DS-REV2.0-03.2014

Specifications subject to changes without prior notice. The contents of this page are property of North Invent Norway AS. All rights herein are reserved to North Invent Norway AS. This document cannot be reproduced without the written permission of the company.

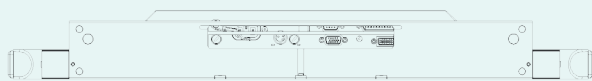
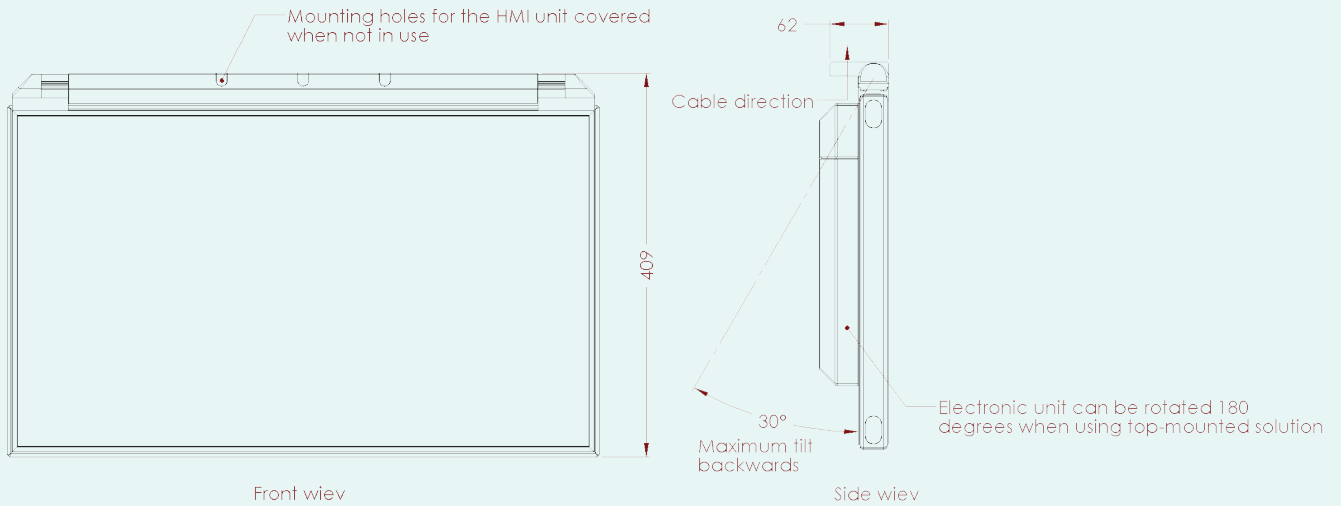
NORTH INVENT
 Sørhauggata 128,
 NO-5527 Haugesund, Norway
 Phone: + 47 48 84 02 00



WAVE 27" MONITOR

WAVE 27" WITH TOP MOUNTED HINGE: WA270-01.MON.01-3001

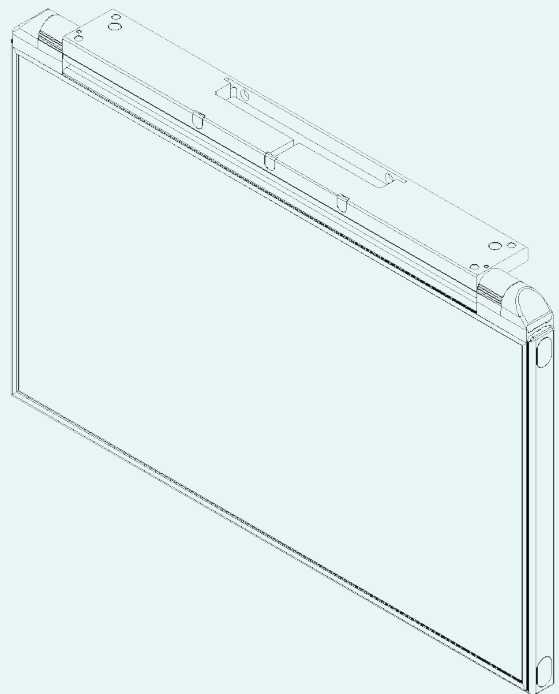
Note: All dimensions are in mm.



Top view



Bottom view



WA270-DS-REV2.0-03.2014

Specifications subject to changes without prior notice. The contents of this page are property of North Invent Norway AS. All rights herein are reserved to North Invent Norway AS. This document cannot be reproduced without the written permission of the company.

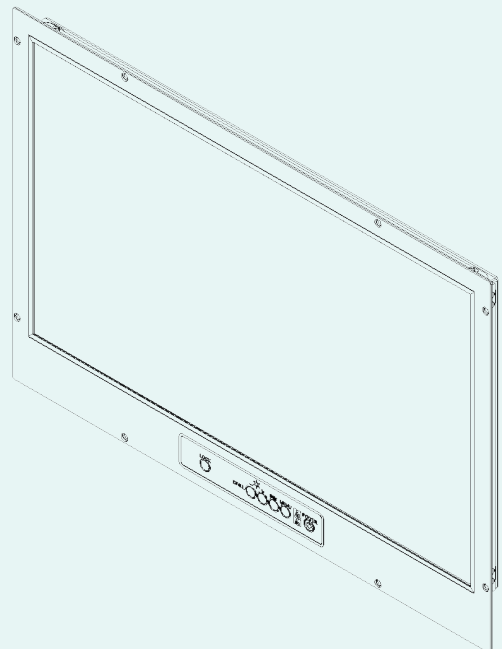
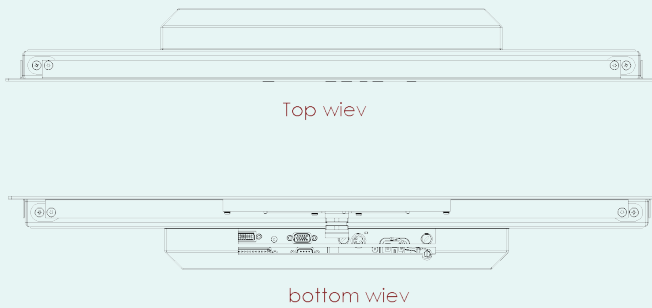
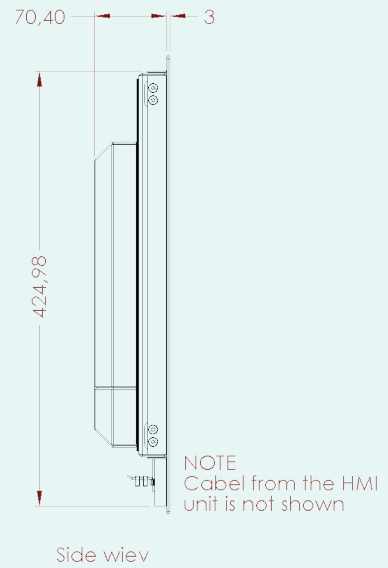
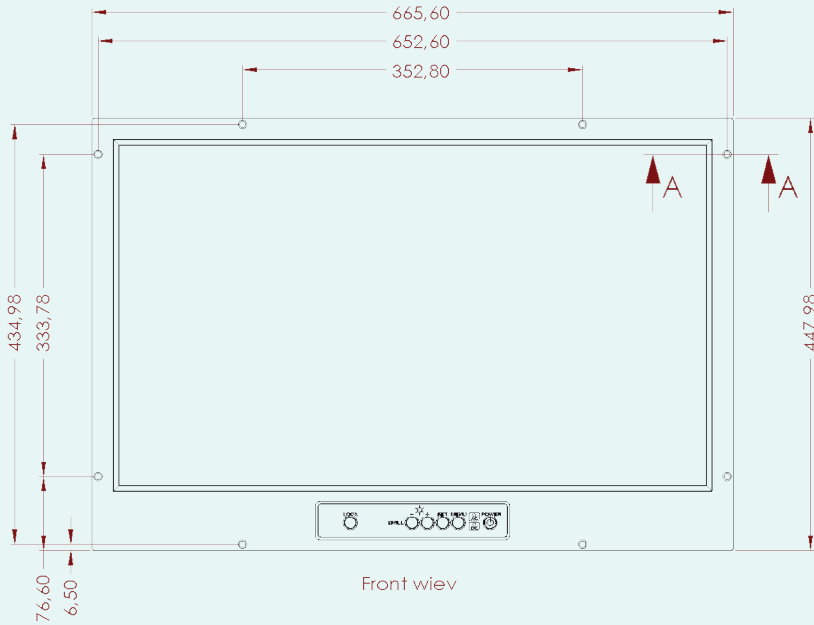
NORTH INVENT
 Sørhauggata 128,
 NO-5527 Haugesund, Norway
 Phone: + 47 48 84 02 00



WAVE 27" MONITOR

WAVE 27" PANEL MOUNTED WITH INTEGRATED HMI: WA270-01.MON.01-4001

Note: All dimensions are in mm.



Note: Outer dimensions
are flexible.

WA270-DS-REV2.0-03.2014

Specifications subject to changes without prior notice. The contents of this page are property of North Invent Norway AS. All rights herein are reserved to North Invent Norway AS. This document cannot be reproduced without the written permission of the company.

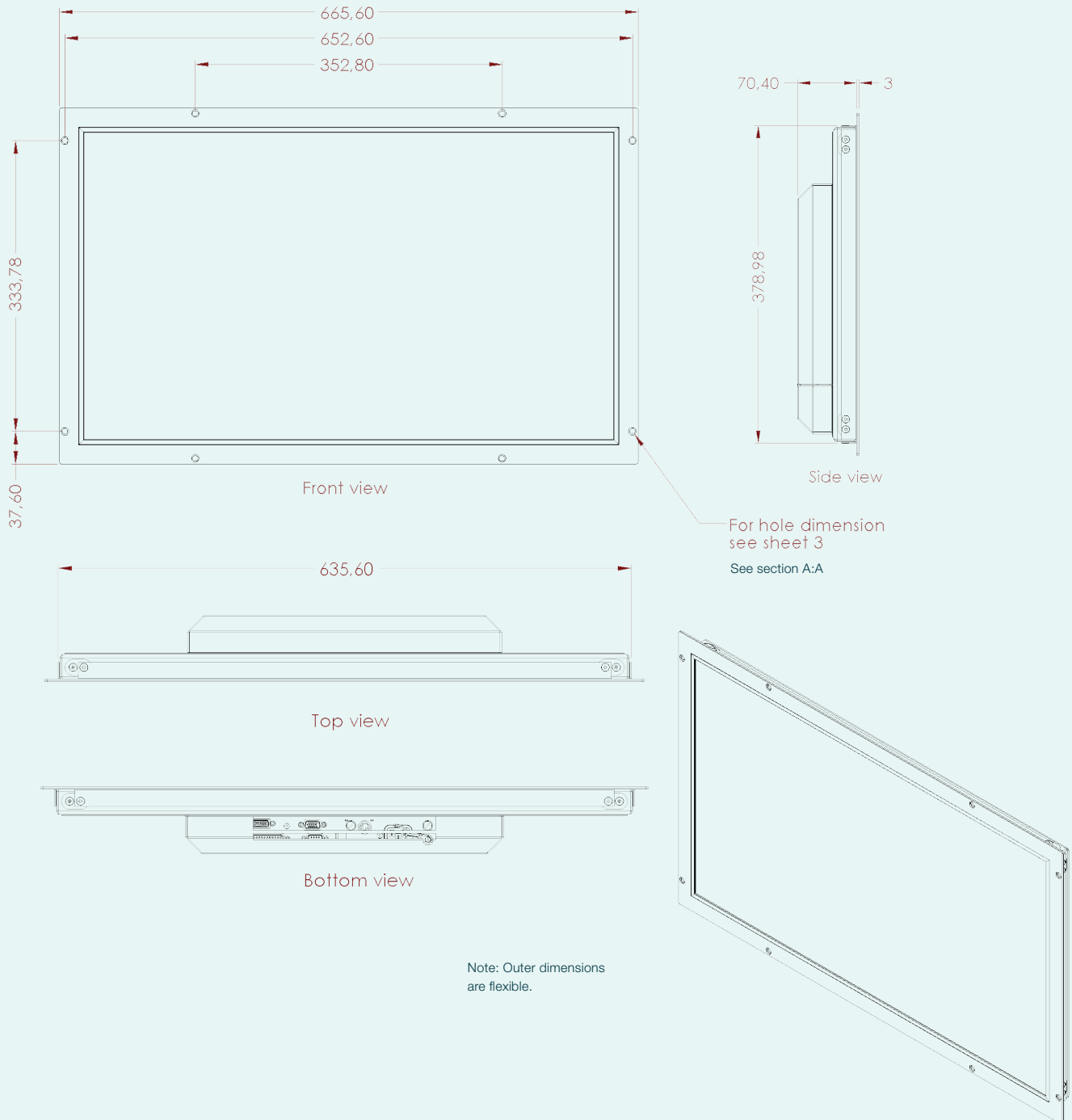
NORTH INVENT
Sørhauggata 128,
NO-5527 Haugesund, Norway
Phone: + 47 48 84 02 00



WAVE 27" MONITOR

WAVE 27" PANEL MOUNTED WITHOUT INTEGRATED HMI: WA270-01.MON.01-5001

Note: All dimensions are in mm.



WA270-DS-REV2.0-03.2014

Specifications subject to changes without prior notice. The contents of this page are property of North Invent Norway AS. All rights herein are reserved to North Invent Norway AS. This document cannot be reproduced without the written permission of the company.

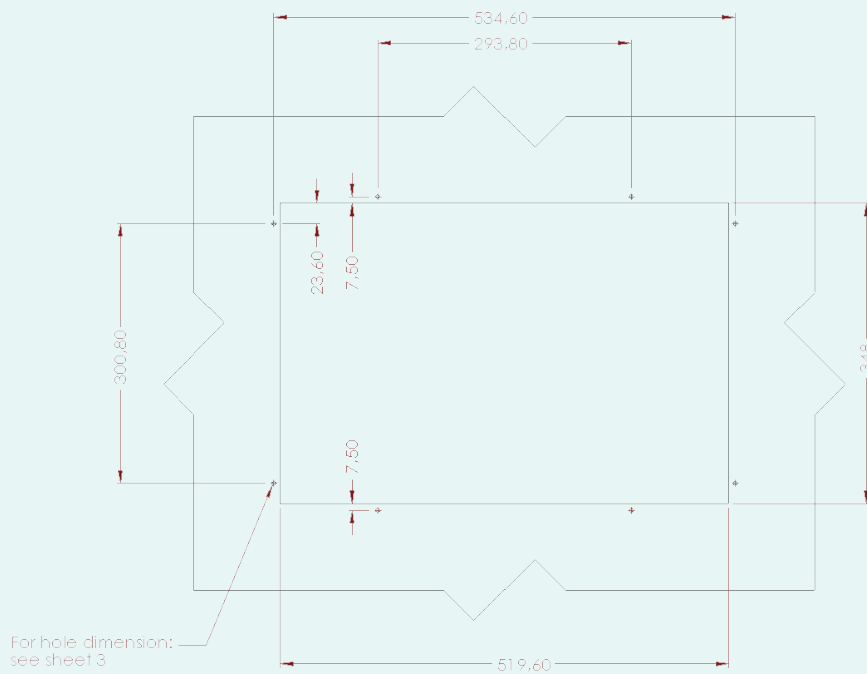
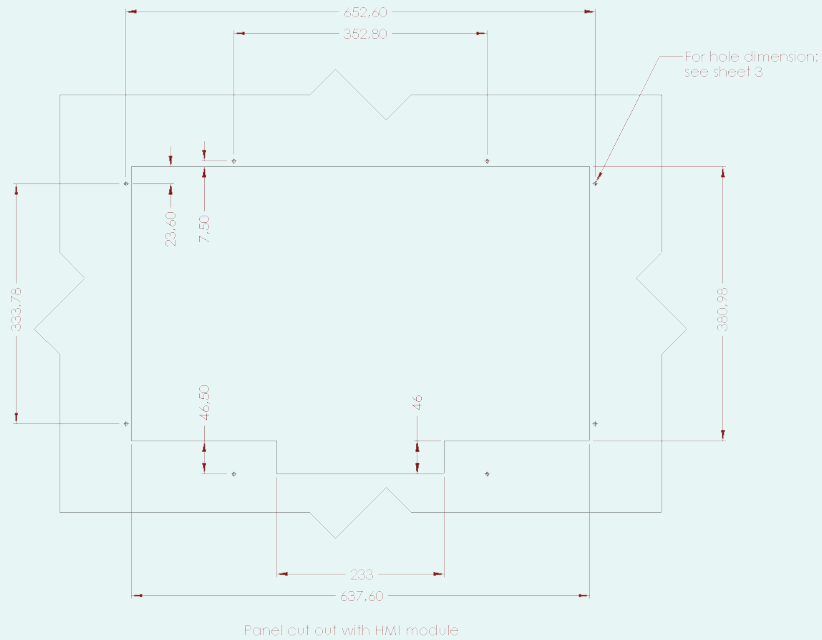
NORTH INVENT
Sørhauggata 128,
NO-5527 Haugesund, Norway
Phone: + 47 48 84 02 00



WAVE 27" MONITOR

WAVE 27" PANEL CUT OUT FOR PANEL MOUNTING KITS

Note: All dimensions are in mm.



WA270-DS-REV2.0-03.2014

Specifications subject to changes without prior notice. The contents of this page are property of North Invent Norway AS. All rights herein are reserved to North Invent Norway AS. This document cannot be reproduced without the written permission of the company.

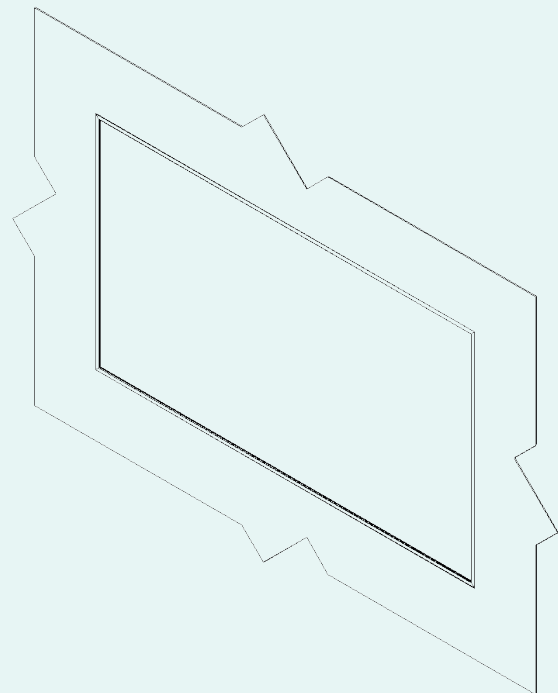
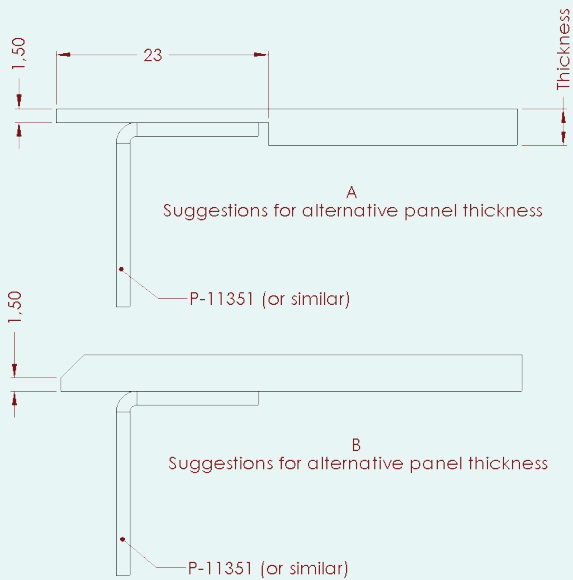
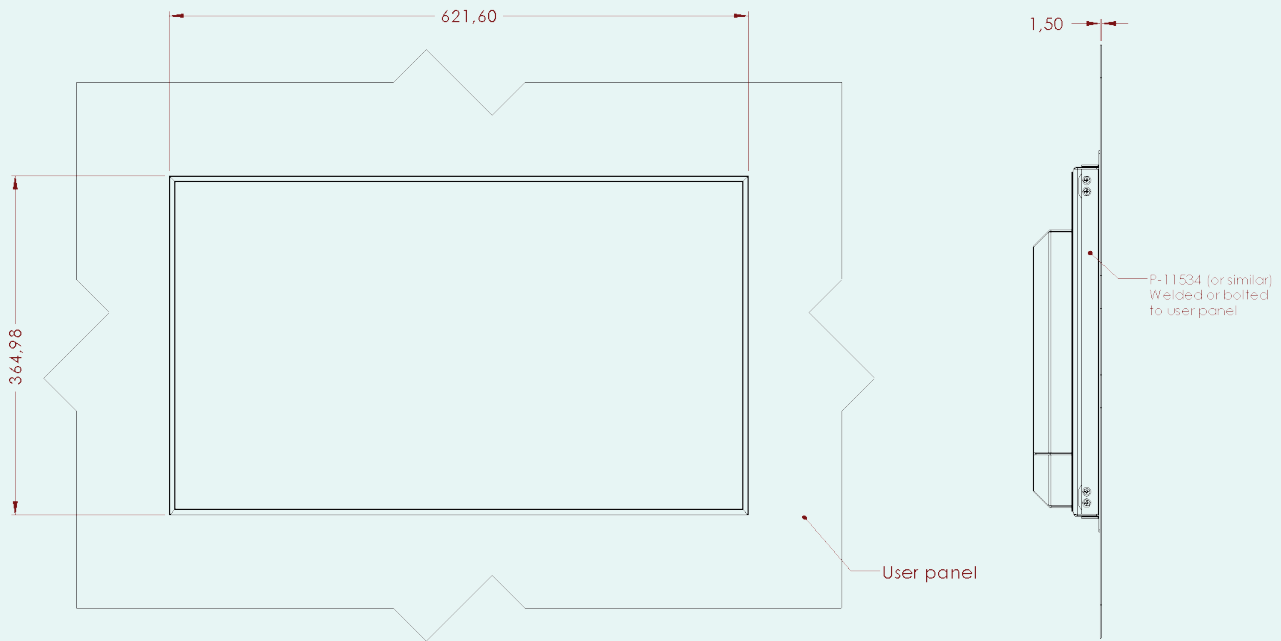
NORTH INVENT
Sørhauggata 128,
NO-5527 Haugesund, Norway
Phone: + 47 48 84 02 00



WAVE 27" MONITOR

WAVE 27" PANEL CUT OUT FOR FLUSH MOUNTING FROM BACKSIDE

Note: All dimensions are in mm.



WA270-DS-REV2.0-03.2014

Specifications subject to changes without prior notice. The contents of this page are property of North Invent Norway AS. All rights herein are reserved to North Invent Norway AS. This document cannot be reproduced without the written permission of the company.

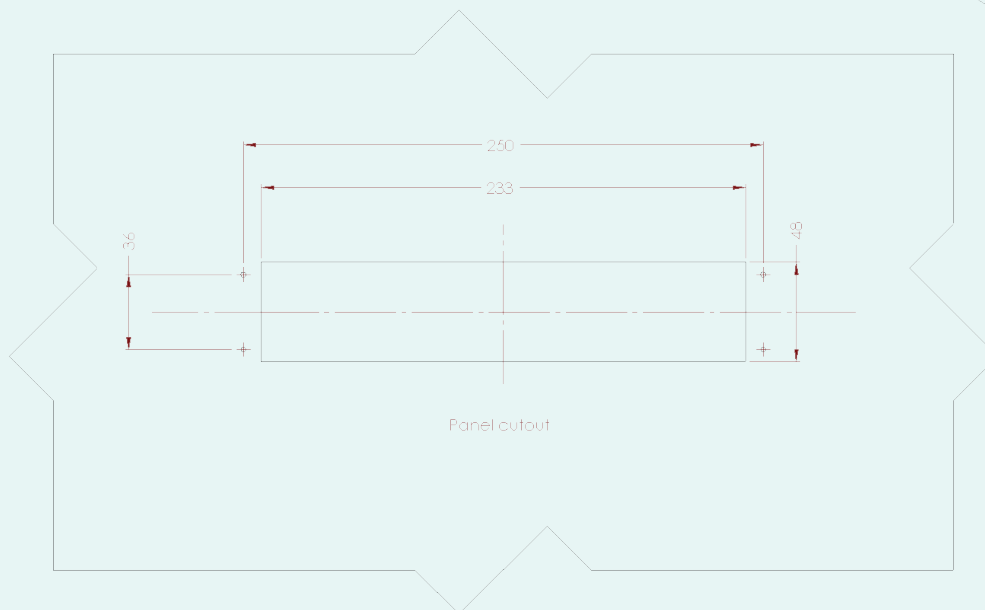
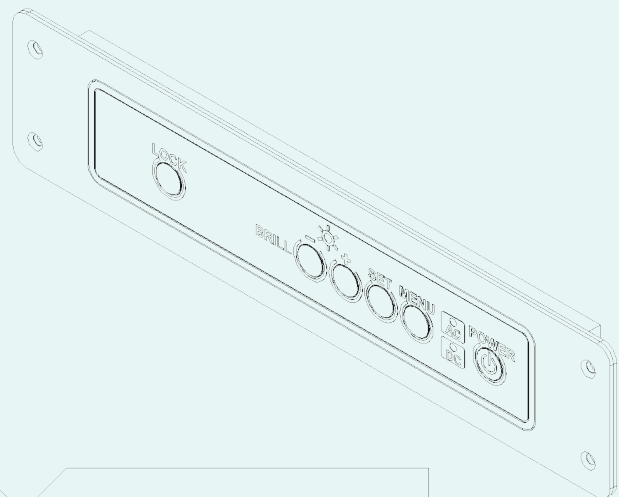
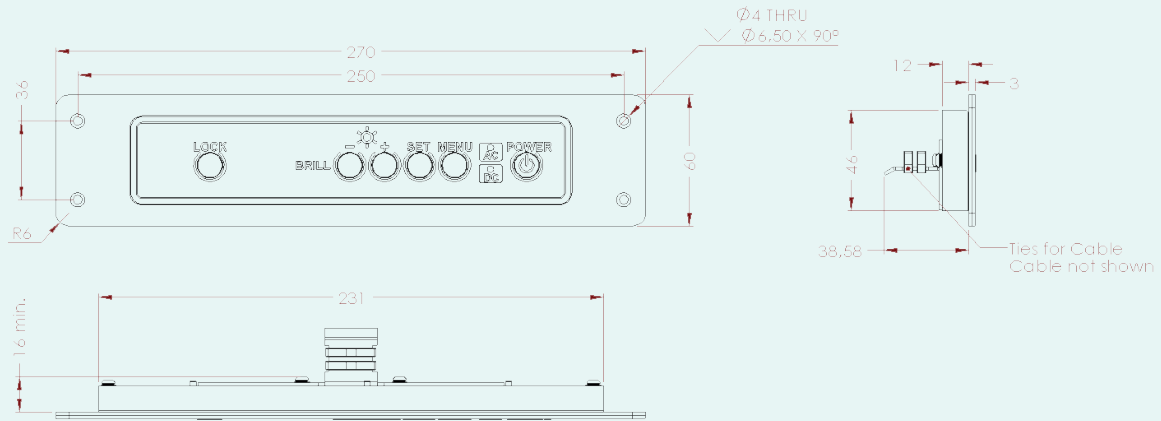
NORTH INVENT
Sørhauggata 128,
NO-5527 Haugesund, Norway
Phone: + 47 48 84 02 00



WAVE 27" MONITOR

WAVE 27" HMI STAND ALONE CUT OUT: WA-01.HMI.02.0001

Note: All dimensions are in mm.



WA270-DS-REV2.0-03.2014

Specifications subject to changes without prior notice. The contents of this page are property of North Invent Norway AS. All rights herein are reserved to North Invent Norway AS. This document cannot be reproduced without the written permission of the company.

NORTH INVENT
Sørhauggata 128,
NO-5527 Haugesund, Norway
Phone: + 47 48 84 02 00

